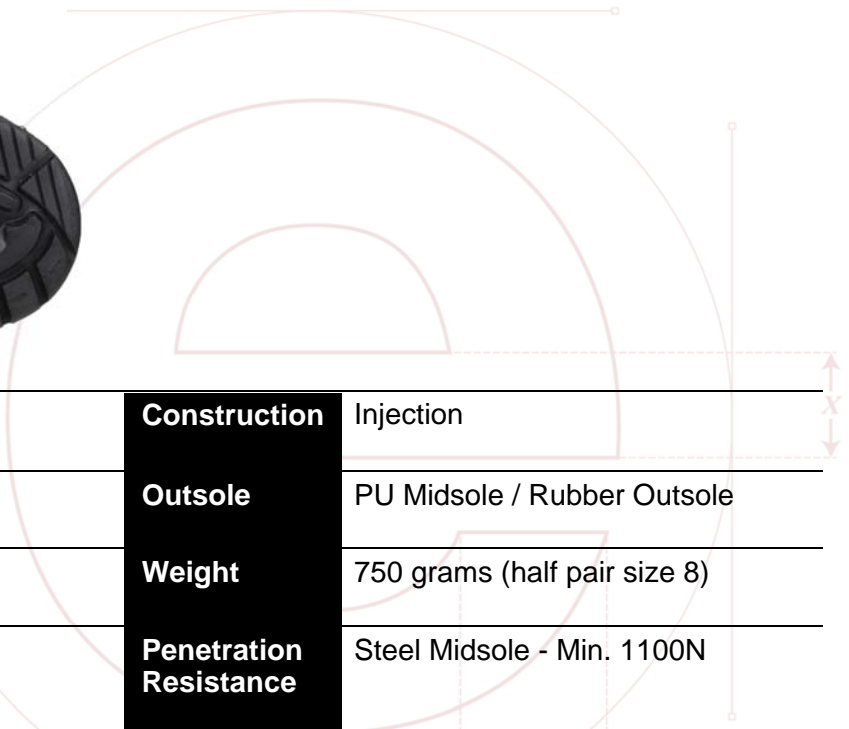


FS332 GLYDER



Standard	EN ISO 20345:2011
Category	S3 HRO SRC
Size Range	UK 6 - 12 EU 39 - 47
Colour	Black
Slip Resistance	SRC



Upper	Water Resistant Barton Print Leather	Construction	Injection
Inner Lining	Breathable Mesh	Outsole	PU Midsole / Rubber Outsole
Footbed	Removable EVA Footbed	Weight	750 grams (half pair size 8)
Impact Resistance	200 Joules Steel Toe Cap	Penetration Resistance	Steel Midsole - Min. 1100N

CHARACTERISTICS:

- Welders safety boot
- Water resistant action leather upper
- Fire resistant Kevlar stitching
- Padded PU collar
- Injected PU scuff cap
- Quick release system
- Injected PU midsole
- Heat resistant rubber outsole to 300°C
- Antistatic & energy absorbing heel
- Oil resistant outsole

Care Advice: To enhance the life & performance of the footwear, upper should be kept clean & dry. Dry/damp cloth or shoe polish/spray to be used as per the need. Sole to be checked and clean regularly to maintain its traction. Any obvious damage in footwear may reduce full protection and must be replaced.